

PMO 950K

Carousel tunnel cleaning machine **PMO 950K** is a revolutionary fully automated cleaning machine distinguished with extraordinary compact and aesthetic construction.

Though minimised footprint perfectly co-operates with automatic production lines providing precise washing with optional rinsing and drying of details transported on internal conveyor. Any oil-based contamination, machining emulsions and detached bore chips are being removed from the parts inside the tunnel. Small distance between loading and unloading station distinguishes with integration-flexibility higher than in standard tunnel cleaning machines. Reliability and failure free exploitation of the **PMO 950K** devices has been confirmed in many Polish and European production plants oriented for fully-automated maintenance-free production.

Cleaning, rinsing and drying operations in **PMO 950K** are realized in a closed circuit which has a significant influence on the reduction of the upkeep costs. The closed circuit work is available as a result of following innovative EKO-PIL solutions:

- **OGP** oil separator
- EKO-PIL 20µm thorough filtration
- Fume condenser with fluid regeneration
- Drying heat salvage



Cleaning process:

- washing
- rinsing / conservation
- air blow-off
- drying

Features:

- efficient washing, rinsing and drying in closed-loop system
- fume condensation with fluid regeneration
- no need for connecting with exhaust hoist systems
- energy-saving machine system with heat salvage
- effective **OGP** oil separation (exploitative elements free)
- efficient filtration up to 10µm (exploitative elements free)
- PLC programmable control
- compact construction made from acid-resistant steel
- easy maintenance and exploitation
- low operating costs

References:

- **PMO** series cleaning machines are working in many production plants across whole Europe providing efficient and reliable exploitation in continuous 24/7 work
- **PMO** series cleaning machines' construction has been awarded with the medal of Gdańsk International Fair Innovations 2005



PMO 950K

PMPO 950K

TECHNICAL DATA

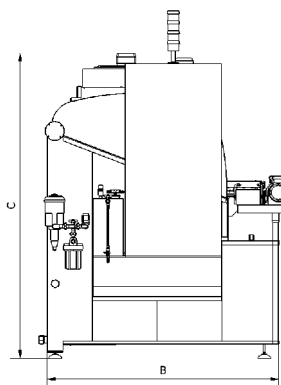
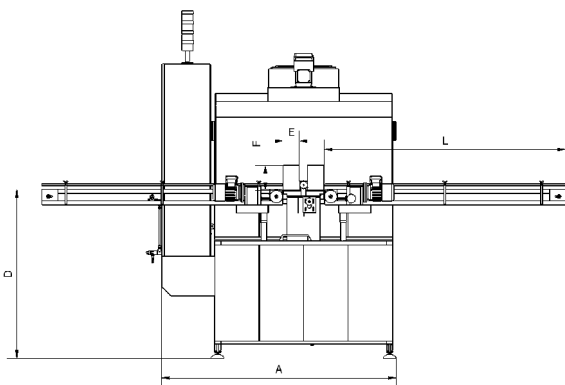
Device dimensions (A×B×C)*	[mm]	1450x1450x1900*	1450x1450x1900*
Loading height (D)*	[mm]	1050±20*	1050±20*
Tunnel dimensions (E×F)*	[mm]	100x200*	100x200*
Conveyor length (L)*	[mm]	1000*	1000*
Device net weight	[kg]	530	610
Tank volume (washing/rinsing)	[l.]	380/-	230/150
Shower pressure	[bar]	4÷6	4÷6
Rough filtration	[µm]	500	500
EKO-PIL thorough filtration	[µm]	20	20
Noise level	[dB]	≤71	≤71

OPTIONS

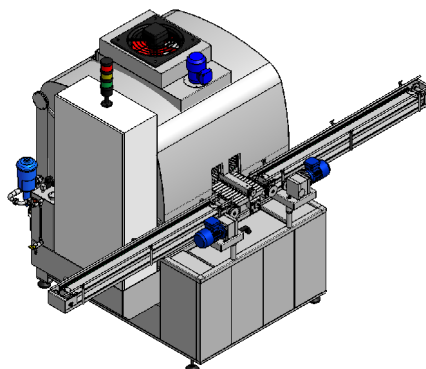
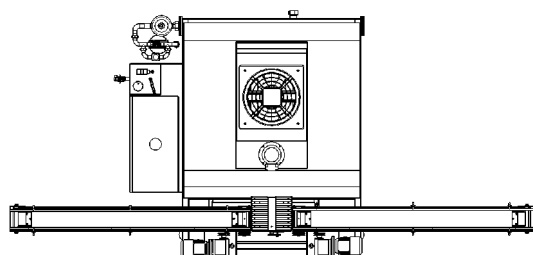
Shower cleaning in a closed circuit	●	●
Shower rinsing in a closed circuit		●
Compressed air-blow	●	●
Hot air drying	○	○
Hoist with fume regeneration	○	○
Drying in a closed circuit	○	○
Thermal isolation of tanks and the working chamber	●	●
Cleaning bath EKO-PIL continuous oil separation (OGP)	○	○
Rough filtration	●	●
EKO-PIL thorough filtration (ZH60)	○	○
PLC control	●	●
Conveyor adjustable speed	●	●
Automatic temperature control	●	●
Automatic bath resupply	●	●
Automatic cleaning detergent dosage	○	○

* dimensions adjustable for Customer's particular requirements

● standard ○ option not available



Manufacturer of innovative cleaning machines and oil separators



The EKO-PIL company is a flexible manufacturer of industrial cleaning machines suited for details' or particular processing requirements.

Our products are a subject of constant improvement and development process, which thereby enclosed pictures and technical parameters, may vary from the final devices.

In order to be up to date with innovative technologies of industrial cleaning please visit our website www.ekopil.com