

# KMN 300

Industrial chamber cleaning machine type **KMPN 300** is a high-performance universal and economic compact cleaning machine featuring aqueous closed loop cleaning system. The **KMPN 300** is designed for cleaning the details from any oil-based contamination, machining emulsions and detached bore chips.

Details to be cleaned are placed on pallets or directly inside the swivel basket. The cleaning process is realized inside the working chamber by showering with flat nozzles or in immersion. The swivel basket can remain still or oscillate within given angle range or rotate round the horizontal axis providing precise cleaning and drying operations. Drying operation in **KMPN 300** cleaning machines is realized by blowing the details with hot air.

The **KMPN 300** cleaning machine has enlarged working chamber and provides effective cleaning, rinsing and drying operations in standard version. There is also third fluid circuit available as an option in order to provide another operation stage e.g. conservation.

Cleaning, rinsing and drying operations are realized in a closed circuit which has a significant influence on the reduction of the upkeep costs. The closed circuit work is available as a result of following innovative EKO-PIL solutions:

- **OGP** oil separator
- EKO-PIL 20µm thorough filtration
- fume condenser with fluid regeneration
- drying heat salvage



## Cleaning process:

- washing
- rinsing
- conservation
- drying
- cooling

## Features:

- efficient washing, rinsing and drying in closed-loop system
- fume condensation with fluid regeneration
- no need for connecting with exhaust hoist systems
- energy-saving machine system with heat salvage
- effective **OGP** oil separation (exploitative elements free)
- efficient filtration up to 10µm (exploitative elements free)
- PLC programmable control
- constant supervision of the realized process on the operating panel
- compact construction made from acid-resistant steel
- easy maintenance and exploitation
- low operating costs

## References:

- **KMN** series cleaning machines are working in many Polish and European production plants providing efficient and breakdown-free exploitation, often in continuous 24/7 work
- construction of the **KMN** cleaning machines has been awarded with **The Gold Medal of Poznań International Fair 2003**



**KMPN 300**

**KMPPN 300**

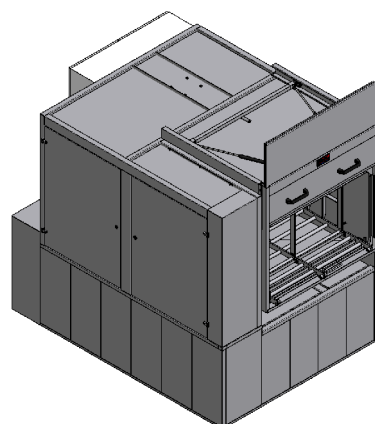
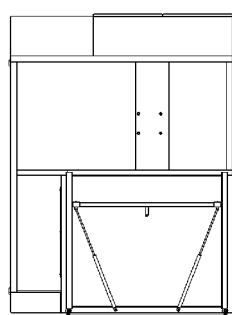
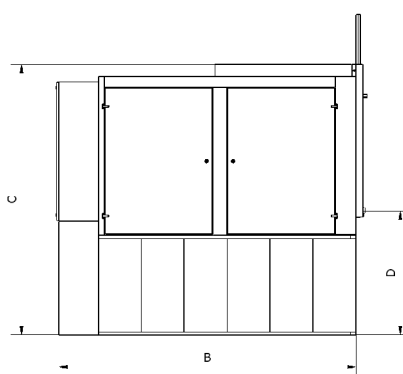
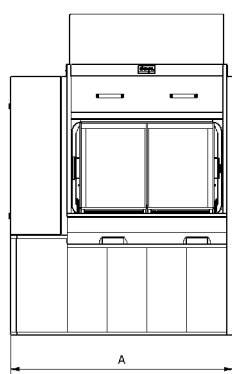
**TECHNICAL DATA**

|   |       |                |                |
|---|-------|----------------|----------------|
| Device dimensions (A×B×C)                 | [mm]  | 2250x1300x1800 | 1600x2100x1900 |
| Loading height D                          | [mm]  | 950±20         | 1000±20        |
| Basket dimensions (E×F×G)                 | [mm]  | 940x590x600    | 940x590x600    |
| Permissible load weight                   | [kg]  | 100            | 100            |
| Device net weight                         | [kg]  | 1100           | 1300           |
| Tank volume (washing/rinsing/passivation) | [l.]  | 750/600        | 550/400/400    |
| Shower pressure                           | [bar] | 4÷6            | 4÷6            |
| Rough filtration                          | [µm]  | 500            | 500            |
| EKO-PIL thorough filtration               | [µm]  | 20             | 20             |
| Noise level                               | [dB]  | ≤72            | ≤72            |

**OPTIONS**

|   |   |   |
|---|---|---|
| Shower cleaning in a closed circuit                   | ● | ● |
| Shower rinsing in a closed circuit                    | ● | ● |
| Shower passivation in a closed circuit                |   | ● |
| Immersion cleaning/rinsing/passivation                | ○ | ○ |
| Hot air drying  | ● | ● |
| Drying in a closed circuit                            | ○ | ○ |
| Fume condensation                                     | ○ | ○ |
| Heat exchanger  | ○ | ○ |
| Thermal isolation of tanks and the working chamber    | ● | ● |
| Cleaning bath EKO-PIL continuous oil separation (OGP) | ○ | ○ |
| Rough filtration                                      | ● | ● |
| EKO-PIL thorough filtration (ZH90)                    | ○ | ○ |
| PLC control   | ● | ● |
| Control of swivel basket motion                       | ● | ● |
| Automatic temperature control                         | ● | ● |
| Automatic bath resupply                               | ● | ● |
| Automatic cleaning detergent dosage                   | ○ | ○ |

● standard ○ option not available



Manufacturer of innovative cleaning machines and oil separators



The EKO-PIL company is a flexible manufacturer of industrial cleaning machines suited for details' or particular processing requirements.

Our products are a subject of constant improvement and development process, which thereby enclosed pictures and technical parameters, may vary from the final devices.

In order to be up to date with innovative technologies of industrial cleaning please visit our website [www.ekopil.com](http://www.ekopil.com)